

**CATALOGO VALVOLE A FARFALLA
SERIE "2E-XL"**

**CATALOGUE BUTTERFLY VALVES
SERIE "2E-XL"**



**PRESENTAZIONE SOCIETA'
COMPANY PRESENTATION**

EUROVALVE produce valvole a farfalla per l'industria chimica, petrolchimica, energetica, navale, etc. **EUROVALVE** ha 20 anni di esperienza in questo settore sia sul mercato italiano che estero.

La società offre un efficiente servizio di post vendita e un ben organizzato magazzino in modo da soddisfare la clientela in termini di prezzo e tempi di approntamento del prodotto.

I prodotti della **EUROVALVE** sono:

- valvole a farfalla a tenuta gommata (PN6-10-16-ANSI150) adatte ad un impiego in condizioni operative non estreme (-35°C a +160°C),
- valvole a farfalla doppio eccentriche a tenuta morbida
- valvole a farfalla doppio eccentriche a tenuta metallica per alte prestazioni,
- valvole a farfalla a tenuta metallica, che è stata progettata per condizioni estreme di esercizio, in termini di temperature (-196 °C a + 700 °C) che di pressioni, sia nel campo dell'intercettazione e controllo di fluidi che in applicazioni con fluidi corrosivi. Tale valvola è di esecuzione triplo eccentrica, il che significa che le caratteristiche di rotazione del disco e la generatrice del cono della sede sono posizionate su assi differenti rispetto alla tenuta. Questa triplo eccentricità consente il movimento del disco senza sfregamenti fra l'anello di tenuta e la sede, che entrano in contatto solo al momento della chiusura. Le valvole a farfalla a tenuta metallica hanno una costruzione intrinsecamente "FIRE SAFE" in quanto sono completamente metalliche, ovvero non hanno alcuna parte che può essere parzialmente o totalmente distrutta durante un eventuale incendio compromettendone la tenuta. **EUROVALVE** ha comunque provveduto, per documentare la costruzione "FIRE SAFE", ad effettuare una prova del fuoco secondo le procedure BS 6755 Part 2.
- valvole di regolazione (-40°C a +600°C)

EUROVALVE is a valves manufacturer which produces butterfly type valves for chemical, petrochemical, power production, naval and general industries. **EUROVALVE** has a twenty years experience in this sector and acts in Italy as well as abroad. The company offers a very efficient service of post selling assistance and a good organized warehouse to satisfy the customers in terms of price and delivery time.

The products of **EUROVALVE** are:

- the rubber seated butterfly valves (PN6-10-16-ANSI150) suitable to be employed in not extreme operational condition (-35°C to +160°C),
- the double eccentric soft seated butterfly valves,
- the double eccentric high performance butterfly valves,
- the metal seated butterfly valves that has been designed to support extreme operational condition, either of temperature (-196 °C to + 700 °C) or pressure, in the field of fluids interception and control as well as in the application with corrosion media. This valve is a triple-eccentric execution, which means that the disc rotation features and the seat cone generator are positioned on axis different from those of the sealing area. This triple eccentricity allows the disc movement with no creeps between the seal ring and the seat which get in contact at shut-off only. The metal seated butterfly valves are inherently FIRE SAFE since there are no resilient elements that can be partially or completely destroyed in case of fire. **EUROVALVE** to prove the FIRE TEST construction, has subjected the valve to a simulated fire test according to the procedure in compliance with BS 6755 Part 2 standard.
- the regulation valves (-40°C to +600°C)



EUROVALVE unendo le caratteristiche di compattezza e leggerezza tipiche delle tradizionali valvole a farfalla alle caratteristiche di tenuta già descritte, si pone in concorrenza con le valvole tradizionali attualmente sul mercato (saracinesche, sfere, a flusso avviato) rispetto alle quali presenta notevoli vantaggi di peso e di ingombro.

EUROVALVE which joins together the compactness and lightness features of the traditional butterfly valves with extreme sealing features is in competition with the traditional valves presently on the market (gate, ball, piston check etc.) since, compared with them, presents remarkable advantages as far as weight and overall dimensions are concerned.

EUROVALVE è in possesso dei seguenti certificati:

EUROVALVE is certified as follows:

ISO 9001:2008



ISO 9001:2008



Resistenza al fuoco in accordo alle **BS 6755 Parte 2**

Fire Safe according to **BS 6755 Part 2**

PED- Direttiva Europea per le Attrezzature in pressione **97/23/Ce** secondo la procedura di valutazione descritta nel modulo **H**.

PED- European Pressure Equipment Directive **97/23/EC** as for module **H** conformity evaluation procedure.

Ente Notificato incaricato della sorveglianza del sistema qualità del fabbricante

Notified Body monitorino the manufacturer's quality assurance system :

TI
numero di identificazione presso la Comunità Europea:
1354

TI
identification number in the E C :
1354



ATEX – Direttiva 94/9/CE-ATEX100 per regolamentazione apparecchiature destinate all'impiego in zone a rischio di esplosione

ATEX – Directive 94/9/CE-ATEX100 Regulation of special benches on the activity in the area of explosion



GOST-R – Certificato che conferma la qualità del prodotto e la conformità alle normative ed esigenze della Federazione Russa

GOST-R – This Certificate confirms the quality of product and its conformity with standards and requirements of Russia Federetion



INTRODUCTION

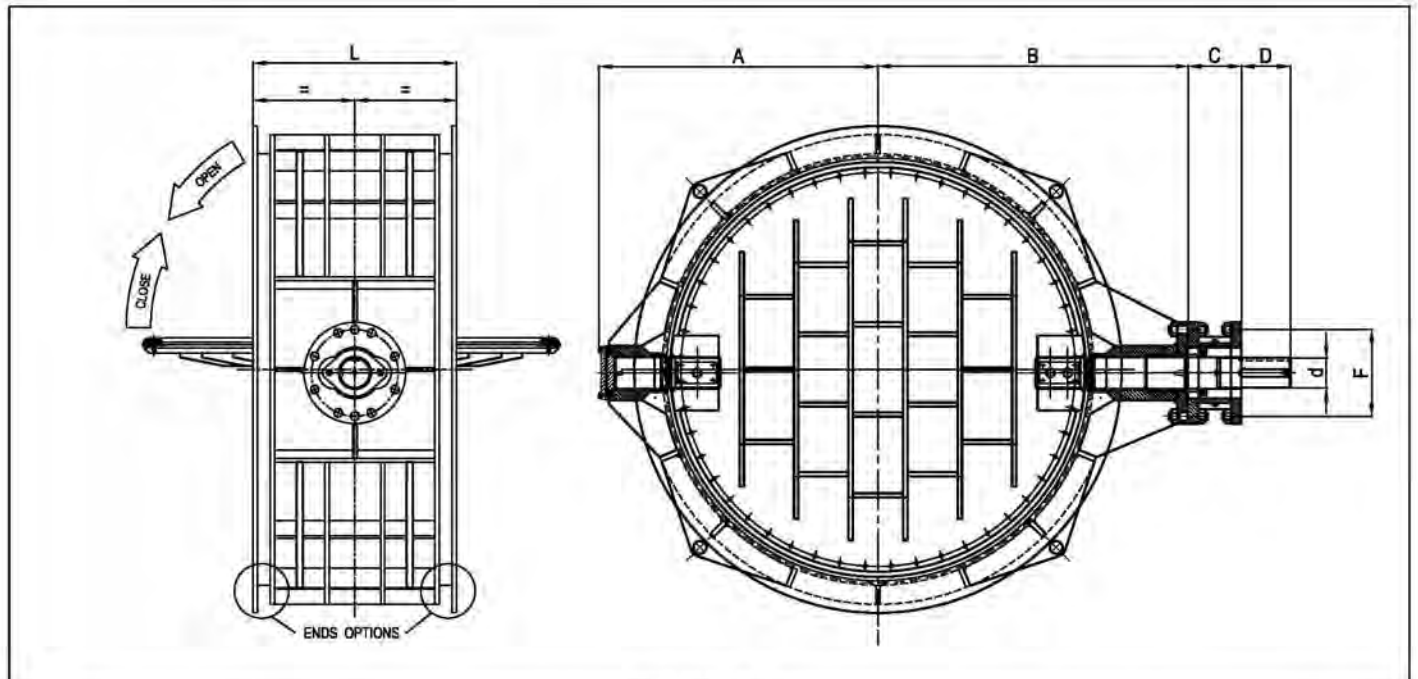
EUROVALVE "2E-XL" butterfly valves are designed for services in a lot of applications like:

- WATER (drinking water pump station and distribution, cooling water system, treatment plant)
- STEAM (cooling technologies, vacuum)
- OIL PRODUCTION (onshore/offshore)
- PUMP PROTECTION SYSTEMS
- CHEMICAL AND PETROL/CHEMICAL
- REFINERIES
- STEEL AND IRON
- DESALINIZATION PLANTS
- ...

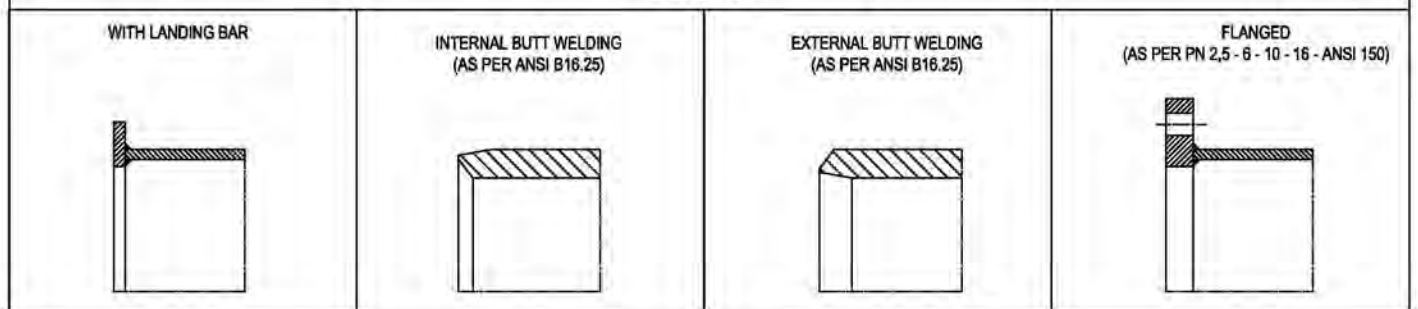
The main features of "2E-XL" butterfly valves are the following:

- DOUBLE OFFSET TYPE TO REDUCE THE TORQUE TO CLOSE THE VALVE AND SO THE ACTUATORS DIMENSIONS TOO
- REPLACEABLE SEAT ON DISC IN ALL KIND OF RUBBER MATERIALS (ACCORDING TO THE MEDIUM):
 - EPDM
 - EPDM-HT
 - NBR
 - HNBR
 - HYPALON
 - VITON
 - NEOPRENE
 - NATURAL RUBBER
 - SILICONE
 - ANY OTHER SPECIAL MATERIAL ON REQUEST
- DOUBLE SHAFT TILL 6 bar; MONO SHAFT UP TO 6 bar
- HORIZONTAL OR VERTICAL SHAFT MOUNTING
- DOUBLE TIGHT SHUT-OFF AND **PERFECT TIGHT FOR VACUUM APPLICATIONS**
- MONO OR BI-PLANE DISC DESIGN ON CUSTOMER REQUEST
- SPECIAL FACE TO FACE ON CUSTOMER REQUEST
- MATERIALS ON CUSTOMER REQUEST (STANDARD STAINLESS STEEL SEAT ON BODY)
- ENDS OF VALVE (BUTT WELDING, FLANGED, ONE SIDE FLANGED AND THE OTHER BW, ...) ON CUSTOMER REQUEST
- LOCKING DEVICE, HEATING JACKET, ... ON CUSTOMER REQUEST
- VULCANIZED HARD RUBBER INTERNAL COATING ON CUSTOMER REQUEST
- SELF-LUBRICATED BEARINGS AND SEALED AGAINST THE MEDIA BY O'RINGS AND "SPECIAL PACKING" FOR GAS AND VACUUM

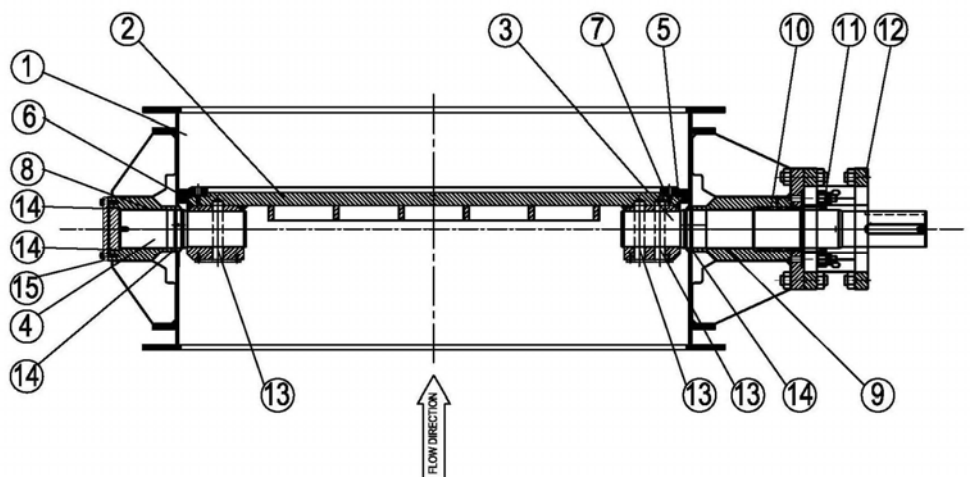
"2E-XL" BUTTERFLY VALVES FEATURES



ENDS OPTIONS



DETAIL:		
1	BODY	CARBON STEEL
2	DISC	CARBON STEEL
3	UPPER SHAFT	AISI 420
4	BOTTOM SHAFT	AISI 420
5	RUBBER SEAT ON DISC	REF. TO TABLE 1
6	SEAT ON BODY	AISI 304
7	RETAINING RING	CARBON STEEL
8	BOTTOM BEARING	D.U. (S.S. + PTFE)
9	UPPER BEARING	D.U. (S.S. + PTFE)
10	"CHEVRON" PACKING	PTFE + RPTFE
11	GLAND	CARBON STEEL
12	BRACKET	CARBON STEEL
13	PIN	AISI 420
14	O'RING	REF. TO TABLE 1
15	PLUG	CARBON STEEL



NOTE:

- ALL MATERIALS INDICATED CAN BE CHANGED ON CUSTOMER REQUEST

MAIN DIMENSIONS

DN	L	A	B	C	D	d	F	TORQUE [Nm]	WEIGHT [Kg]
80	180	110	117	80	18	25	F07	70	70
100	190	116	122	80	18	25	F07	100	75
125	200	130	145	80	22	25	F07	130	80
150	210	145	156	80	22	30	F07	150	90
200	230	181	199	80	22	30	F10	280	110
250	250	212	255	80	30	35	F12	320	150
300	270	245	275	120	30	35	F12	430	180
350	290	286	319	120	45	60	F14	570	230
400	310	310	344	120	45	60	F14	1.010	330
450	330	339	389	120	45	60	F14	1.100	390
500	350	369	429	120	45	60	F14	1.500	530
600	390	438	510	120	60	100	F14	1.550	750
700	430	500	577	120	70	100	F14	1.600	1.000
750	450	545	630	150	80	100	F16	2.000	1.100
800	470	579	660	150	90	100	F16	2.600	1.350
900	510	640	740	150	100	100	F16	3.500	1.450
1000	550	688	716	165	125	100	F25	4.300	1.550
1100	590	738	766	165	125	100	F25	5.500	1.600
1200	630	788	816	165	125	100	F25	7.100	1.700
1300	670	838	866	165	125	100	F30	8.500	1.800
1400	710	975	1105	165	125	100	F30	9.900	2.100
1500	750	1025	1155	250	200	120	F30	12.000	2.500
1600	790	1075	1205	250	200	120	F30	15.000	2.800
1700	830	1125	1255	250	200	120	F35	17.000	3.200
1800	870	1175	1320	250	200	140	F35	20.000	3.600
1900	900	1225	1370	250	200	140	F35	23.000	4.200
2000	950	1305	1450	250	230	140	F35	26.000	4.700
2100	1000	1355	1500	250	230	140	F35	28.000	5.300
2200	1000	1373	1485	250	230	150	F35	32.000	6.000
2300	1000	1423	1535	250	230	150	F40	35.000	6.500
2400	1120	1478	1601	250	240	200	F40	41.000	7.000
2500	1120	1528	1651	250	240	200	F40	45.000	7.500
2600	1190	1583	1706	250	240	200	F40	49.000	9.000
2700	1190	1633	1756	250	240	200	F40	55.000	9.500
2800	1270	1767	1890	250	240	200	F40	60.000	10.000
2900	1270	1767	1890	250	240	200	F48	68.000	10.500
3000	1350	1774	1903	250	240	200	F48	75.000	12.500
3100	1350	1819	1946	250	240	200	F48	80.000	13.000
3200	1430	1869	1996	280	300	200	F48	85.000	15.000
3300	1430	1919	2046	280	300	200	F48	95.000	16.000
3400	1430	1969	2096	280	300	200	F48	102.000	17.000
3500	1430	2019	2146	280	300	200	F48	108.000	18.000
3600	1430	2069	2197	280	300	200	F48	114.000	19.000
3700	1430	2119	2247	280	300	200	F48	120.000	20.000
3800	1430	2169	2297	280	320	220	F60	130.000	21.000
3900	1430	2219	2347	280	320	220	F60	140.000	22.000
4000	1750	2383	2420	300	340	240	F60	150.000	25.000
4100	1750	2433	2470	300	340	240	F60	160.000	26.000
4200	1750	2483	2520	300	340	240	F60	170.000	27.000
4300	1750	2533	2570	300	340	240	F60	180.000	28.000
4400	1750	2583	2620	300	340	240	F60	190.000	29.000
4500	1750	2660	2770	300	340	240	F60	200.000	30.000
4600	1750	2710	2820	300	340	240	F60	210.000	31.000

NOTE:

- ALL DATA ARE ONLY INDICATIVE AND CAN BE VARIED
- THE ABOVE INDICATE DIMENSIONS OF FACE TO FACE ARE ONLY INDICATIVE AND NOT BINDING; WE CAN PRODUCE THE VALVES WITH SPECIAL FACE TO FACE ON CUSTOMER REQUEST

TABLE 1: SEATS FEATURES

SEAT	COMMERCIAL NAME	COMPOSITION	COMPATIBLE MEDIUM	NO COMPATIBLE MEDIUM	TEMPERATURE LIMITS	
EPDM	NORDEL – KELTAN VISTALON – DUTRAL TER BUNA AP	ETHYLENE PROLYLENE TERPOLYMER	WATER STEAM SEA WATER BRINE KETONE ALKALIS DILUTED ACIDS	HYDROCARBONS OILS FATS	-35 °C	-30 °F
EPDM-HT ALTA TEMP.					+110 °C	+230 °F
BUNA N (NBR)	KRINAC – HYPAR ELAPRIM-S BUTAKON CHEMIGUM – PERBUNAN N EUOPRENE N	COPOLYMER OF BUTADIENE AND HIGH ACRYLONITRILE	SEA WATER HYDROCARBONS NATURAL GAS OILS AND FATS AIR	DILUTED ACIDS BENZENE SOLVENTS	-18 °C	-0 °F
HNBR (HSN)	HYDRATED NITRIL RUBBER THERBAN – ZETPOL HIGHLY SATURATED NITRILE				COPOLYMER OF BUTADIENE AND HIGH ACRYLONITRILE HYDROGENATED	-40 °C
GOMMA NATURALE (NR)	NATURAL RUBBER	LATEX (VEGETABLE)	ABRASIVE NON AGGRESSIVE PRODUCTS	STEAM SOLVENTS ACIDS HYDROCARBONS	-35 °C	-30 °F
SILICONE (WMQ)	SILASTIC – TUFEL SILOPREN HV	ORGANIC SILICONE POLYMER	FOOD	ACIDS STEAM HYDROCARBONS	+65 °C	+150 °F
VITON (FKM - FTM)	FLUOREL TECNOFAN	FLUOROCARBON POLYMER	ACIDS OILS HYDROCARONS GASOLINE	STEAM FREON ALKALIS SOLVENTS – KETONE	-35 °C	-30 °F
HYPALON (CSM)	HYPALON	CHLOROSULFONATED POLYETHYLENE	ACIDS ORGANIC ACIDS OILS AND FATS	NITRIC ACID STEAM KETONES	-10 °C	+14 °F
NEOPRENE (CR)	BAYPREN – BUTACLOR DENKA - SKYPRENE	CHLORO BUTADIENE	OILS FATS	SOLVENTS ACIDS KETONES	+160 °C	+320 °F
PTFE	TEFLON – FLUON – ALGOFロン HOSTAFロン	POLYTETRAFLUOROETHYLENE	CHEMICALLY HIGHLY CORROSIVE AND TOXIC CHEMICAL PRODUCTS	FLUORINE	-18 °C	-0 °F
					+90 °C	+194 °F
					-40 °C	-40 °F
					+200 °C	+392 °F

OPERATORS AND ACCESSORIES

EUROVALVE can supply the valves operated by:

- GEAR
- GEAR + ELECTRIC ACTUATOR
- HYDRAULIC ACTUATOR
- HYDRAULIC CILINDER + COUNTERWEIGHT
- PNEUMATIC ACTUATOR
- ACCESSORIES (LIMIT SWITCHES, SOLENOID VALVES, POSITIONERS, ...)
- ...

We can supply the above mentioned operators and accessories of any kind of brand without foreclosures.

AN EXAMPLE OF A VALVE ND 120"



WELD STEP



WELD STEP



BORING STEP



LATHE STEP



INTERNAL PNEUMATIC TEST



INTERNAL Q.C.



SHIPPING



VALVE MOUNTED ON PLANT

SOME EXAMPLES OF VALVES PRODUCED BY EUROVALVE



LOCKING DEVICE SYSTEM DETAIL



VALVE ND 80" WITH HEAT RESISTENCES



VALVES ND 52" USED FOR PUMP
PROTECTION WITH BODY RUBBER COATED
AND DISC IN BRONZE-ALUMINIUM



VALVE ND 112"



NO.3 VALVES ND 120"



VALVE ND 160"



NO. 1 VALVE ND 180"



NO. 6 VALVE ND 72" USED FOR PUMP
PROTECTION WITH BODY RUBBER COATED
AND DISC IN BRONZE-ALUMINIUM



CONTACT

SALES DEPARTMENT



4 Valves SAS di Modena Massimiliano & C.

Via Piave, 9 – 10044 Pianezza (TO) Italy

P.IVA 11215310019

Website: www.4valves.it

Email: info@4valves.it

WAREHOUSE



EUROVALVE S.r.l.

Via Camicie Rosse, 11 - 20090 Opera (MI) Italy

P.IVA IT 09229160156

Website : www.eurovalve.it

E-mail : info@eurovalve.it