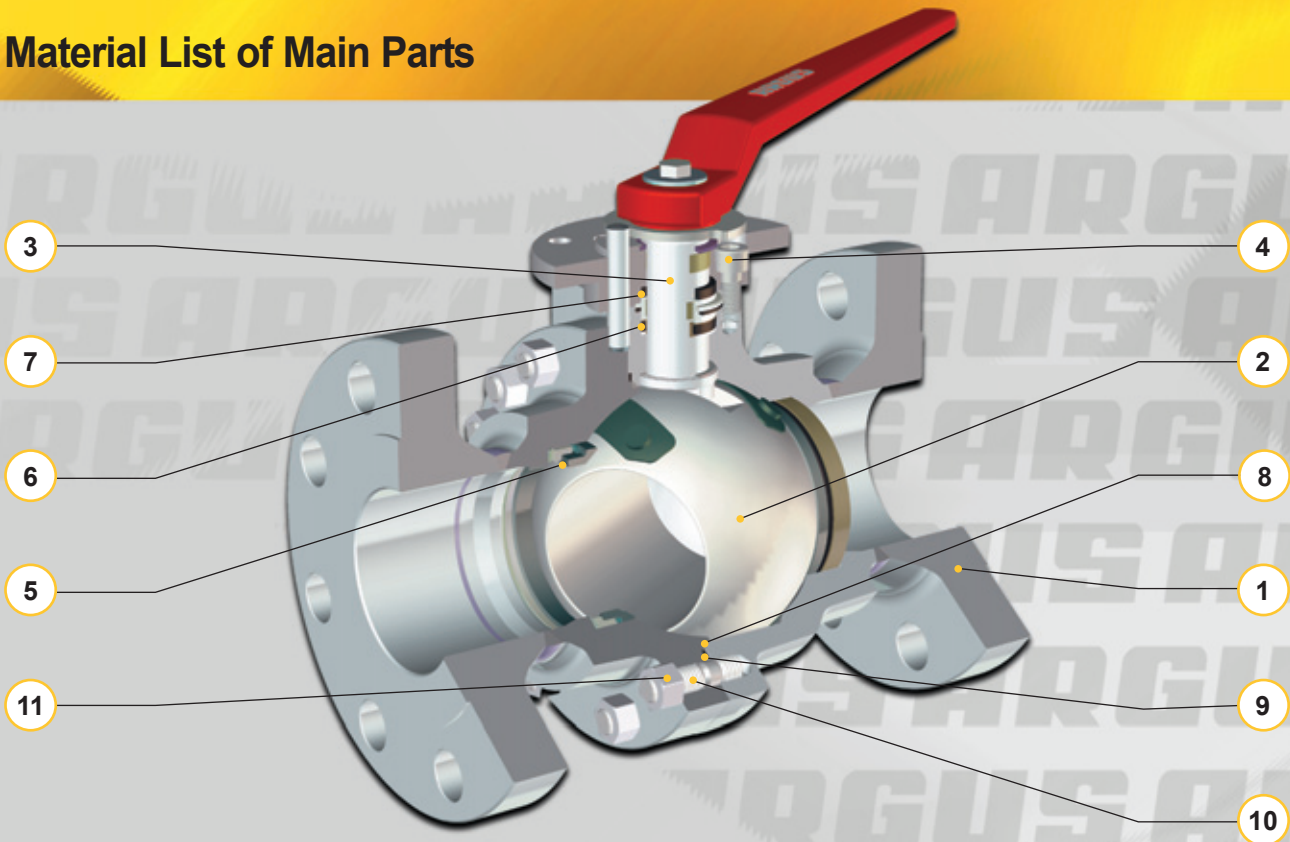


## Material List of Main Parts



| Item | Description         | Material Specification   | Nearest Typical ASTM-Equivalent        |
|------|---------------------|--|--|
| 1    | Body / Flange       | CS Low Temp. 1.0566<br>CS Low Temp. A350 LF2<br>SS 1.4571<br>SS 1.4581 | A350 LF2<br><br>A182 F316Ti            |
| 2    | Ball                | CR13 1.4027<br>SS 1.4408<br>SS Duplex hardfaced                        | A217 Gr. CA15<br>A351 CF8M<br>A182 F51 |
| 3    | Stem                | CR13 1.4104<br>Duplex SS   | Type 430<br>A182 F51                   |
| 4    | Gland Bolts         | 5.6<br>A4-70   |  |
| 5    | Ball Seats          | PTFE<br>SS hardfaced   |  |
| 6    | Primary Stem Seal   | PTFE; FPM; MFQ   |  |
| 7    | Secondary Stem Seal | Celastic   |  |
| 8    | Primary Body Seal   | PTFE; FPM; MFQ   |  |
| 9    | Secondary Body Seal | Celastic   |  |
| 10   | Bolts               | A193 B7 (ASTM)<br>A193 B8MN (ASTM)                                     |  |
| 11   | Nuts                | A194 Gr.4 (ASTM)<br>A194 8M (ASTM)                                     |  |

**DN 80-200 ANSI Cl. 150 Full Bore**  
**DN 150-250 ANSI Cl. 150 Reduced Bore**  
**DN 80-100 ANSI Cl. 300 Full Bore**  
**DN 150 ANSI Cl. 300 Reduced Bore**

**Description:**

The FK 75M ball valve with its many innovative design features represents the highest standards in valve technology and is designed to meet the API-6D, ANSI 16.34 and BS 5351 requirements. Long lifetime and low operating torques due to the clear separation between the sealing and bearing functions.

**Design:**

Split body design with superfine finished padmounted ball, anti-blow-out stem, spring loaded ball seats with cavity relief and anti-static device. Long life double stem seal system and stem supported in bearings to ensure seals are free from operating loads. Stem sealing construction complies with the latest TA-Luft and EPA (method 21) fugitive emissions requirements.

Fire safe to BS 6755 and API 607.

DIN/ISO 5211 mounting plate for easy assembly with actuators included.

**Accessories and Options:**

- Limit switches
- Locking devices
- Extended wrenches
- Stem extensions
- Steam jackets for indirect process heating
- Metal to metal seats
- Drain and vent/bleed connections

**Standard Material Combinations (preferably to order – short delivery time):**

|                     |               |               |               |                     |
|---------------------|---------------|---------------|---------------|---------------------|
| <b>ANSI</b>         | Cl. 150-300   | Cl. 150-300   | Cl. 150-300   | Cl. 150-300         |
| <b>Mat.-Code</b>    | 1805408552    | 140540D552    | 440540D552    | 1E8N8F8552          |
| <b>Body</b>         | CS Low Temp.  | CS Low Temp.  | SS            | CS Low Temp.        |
| <b>Ball/Stem</b>    | CR13          | SS/Duplex SS  | SS/Duplex SS  | CR13 hardfaced/CR13 |
| <b>Ball Seats</b>   | PTFE          | PTFE          | PTFE          | CR13 hardfaced      |
| <b>Stem Seals</b>   | PTFE/Celastoc | PTFE/Celastoc | PTFE/Celastoc | PTFE/Celastoc       |
| <b>Body Seals</b>   | PTFE/Celastoc | PTFE/Celastoc | PTFE/Celastoc | PTFE/Celastoc       |
| <b>Seat Springs</b> | SS            | SS            | SS            | SS                  |