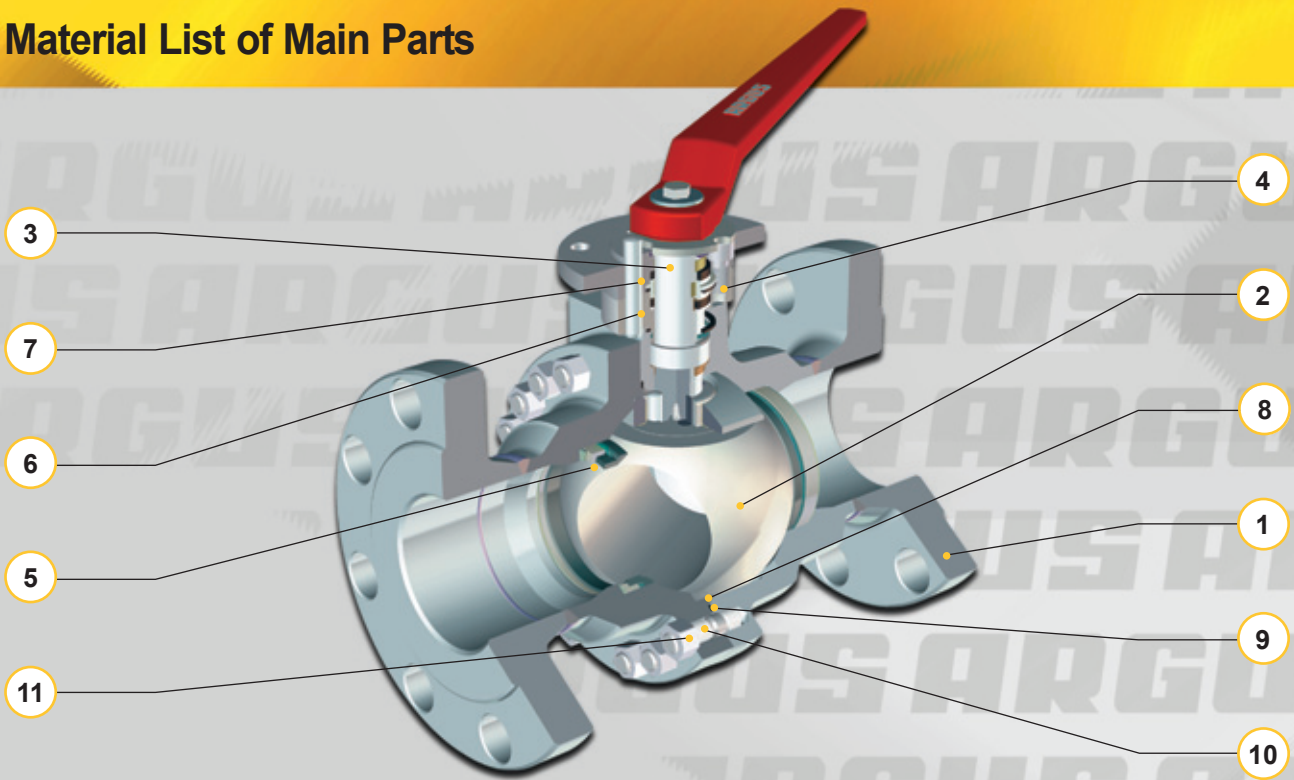


Material List of Main Parts



Item	Description	Material Specification	Nearest Typical ASTM-Equivalent
1	Body / Flange	CS Low Temp. 1.0566 CS Low Temp. A350 LF2 (ASTM) SS 1.4571 SS 1.4581	A350 LF2 A182 F316Ti
2	Ball	CS LowTemp. 1.0566 (>DN 200) CR13 1.4027 SS 1.4408 SS / CR13 / Duplex hardfaced	A217 Gr. CA15 A351 CF8M A182 F51
3	Stem	CR13 1.4104 Duplex SS 17-4 PH	Type 430 A182 F51
4	Gland Bolts	5.6 A4-70	
5	Ball Seats	PTFE; POM; Lyton CR13 / Duplex SS hardfaced	
6	Primary Stem Seal	FPM; PTFE; MFQ	
7	Secondary Stem Seal	Celastic	
8	Primary Body Seal	PTFE; FPM; MFQ	
9	Secondary Body Seal	Celastic	
10	Bolts	A193 B7 (ASTM) A193 B8MN (ASTM)	
11	Nuts	A194 Gr.4 (ASTM) A194 8M (ASTM)	

DN 80-400 ANSI Cl. 150, 300, 600 Full Bore
DN 100-600 ANSI Cl. 150, 300, 600 Reduced Bore

Description:

The FK 76M ball valve with its many innovative design features represents the highest standards in valve technology and is designed to meet the API-6D and ANSI B16.34 and BS5351 requirements. Long lifetime and low operating torques due to the clear separation of the sealing and bearing functions, on both stem and ball.

Design:

Split body design with superfine finished trunnion mounted ball, anti-blow-out stem, spring loaded ball seats, cavity relief and anti-static device. Long life double stem seal system and stem supported in bearings to ensure seals are free from operating loads. Stem sealing construction complies with the latest TA-Luft and EPA (method 21) fugitive emissions requirements.

Fire safe to BS 6755 and API 607.

DIN/ISO 5211 mounting plate for easy assembly with actuators included for up to DN 200, above please name your requirements.

Accessories and Options:

- Limit switches
- Locking devices
- Extended wrenches
- Stem extensions
- Steam jackets for indirect process heating
- Metal to metal seats
- Drain and vent/bleed connections

Standard Material Combinations (preferably to order – short delivery time):

ANSI	Cl. 150-600	Cl. 150-600	Cl. 150-600	Cl. 150-600
Mat.-Code	1805408552	140540D552	440540D552	1ADADFD552
Body	CS Low Temp.	CS Low Temp.	SS	CS Low Temp.
Ball/Stem	CR13*	SS/Duplex SS	SS/Duplex SS	Duplex SS hardfaced
Ball Seats	PTFE (POM PN 100)	PTFE (POM PN 100)	PTFE (POM PN 100)	Duplex SS hardfaced
Stem Seals	PTFE/Celastc	PTFE/Celastc	PTFE/Celastc	PTFE/Celastc
Body Seals	PTFE/Celastc	SS PTFE/Celastc	PTFE/Celastc	PTFE/Celastc
Seat Springs	SS	SS	SS	SS

* DN 250-400 Ball CS-ENP