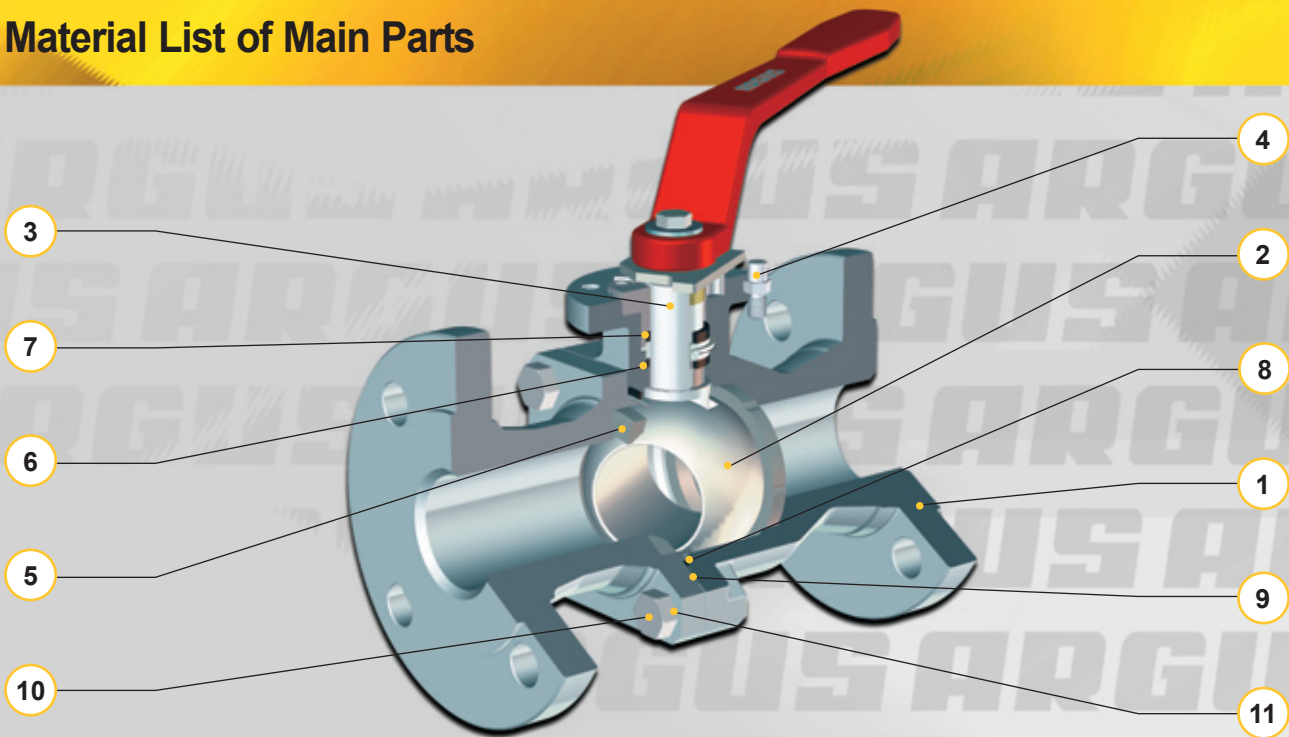


## Material List of Main Parts



Item	Description	Material Specification	Nearest Typical ASTM-Equivalent
1	Body / Flange	CS Casting 1.0619 CS Low Temp. CS Low Temp. A350 LF2 (ASTM) SS 1.4571 Duplex SS; Monel etc. optional	A216WCB A350 LF2  A182 F51
2	Ball	Duplex SS Monel Duplex SS hardfaced	A182 F51
3	Stem	Duplex SS Monel 17-4PH	A182 F51
4	Gland Bolts	8.8 A4-70	A194-B8M
5	Ball Seats	PTFE; POM; Lyton Duplex SS hardfaced	
6	Primary Stem Seal	PTFE	
7	Secondary Stem Seal	Celastic	
8	Body Seal	PTFE	
9	Secondary Body Seal	Celastic	
10	Bolts	A193 B7 (ASTM) A193 B8MN (ASTM) A4-70	
11	Nuts	A194 Gr.4 (ASTM) A194 8M (ASTM) A4-70	

**DN 15-50 ANSI Cl. 150 Full Bore**  
**DN 15-50 ANSI Cl. 300 Full Bore**  
**DN 15-50 ANSI Cl. 600 Full Bore**

### Description:

The FK 79 ball valve with its many innovative design features represents the highest standard in valve technology and is designed to meet the API-6D, ANSI 16.34 and BS 5351 requirements.

### Design:

Split body design with superfine finished seat supported ball, anti-blow-out stem, compact ball seats and anti-static device. Long life double stem seal system and stem supported in bearings to ensure seals are free from operating loads. With mounting plate to DIN/ISO 5211. Stem sealing construction complies with the latest TA-Luft and EPA (method 21) fugitive emissions requirements.

Firesafe to BS 6755 and API 607.

DIN/ISO 5211 mounting plate for easy assembly with actuators included.

FK 79 DN 15-25: ISO-mounting plate to DIN/ISO 5211 F05.

FK 79 DN 40+50: ISO-mounting plate to DIN/ISO 5211 F07.

### Accessories and Options:

- Limit switches
- Locking devices
- Extended wrenches
- Stem extensions
- Steam jackets for indirect process heating
- Round, gull wing and spring return "deadman" handles
- Metal to metal seats and/or extended bonnets with stuffing box for high/low temperatures and abrasive medium and high cycle applications
- Drain connections

### Standard Material Combinations (preferably to order – short delivery time):

<b>ANSI</b>	Cl. 150-600	Cl. 150-600	Cl. 150-600	Cl. 150-600
<b>Mat.-Code</b>	1D0500D552	1ADAD2D552	4D0500D552	4ADAD2D552
<b>Body</b>	CS	CS	SS	SS
<b>Ball/Stem</b>	Duplex SS	Duplex SS hardmetal coated	Duplex SS	Duplex SS hardmetal coated
<b>Ball Seats</b>	PTFE	Duplex SS hardmetal coated	PTFE	Duplex SS hardmetal coated
<b>Stem Seals</b>	PTFE/Celastoc	PTFE/Celastoc	PTFE/Celastoc	PTFE/Celastoc
<b>Body Seals</b>	PTFE/Celastoc	PTFE/Celastoc	PTFE/Celastoc	PTFE/Celastoc